

SOLO TIME FOR STRINGS

BOOK I

TITLE	PAGE
My First Solo	10
Evening Song	11
Scouts March	12
March Melody	13
Favorite Songs	14
Twinkle, Twinkle, Little Star	15
Holiday Songs	16
The Clown	17
Morning Song	18
In Church	19
Long, Long Ago	19
Songs for Christmas	20
Dream Waltz	21
Czech Folk Song	22
Three Melodies	23
The Ballerina	24
Surprise Symphony Theme	25
Marionettes	26
Twilight Serenade	27
Gaily The Troubadour	28
Indian Dance	29
Vacation March	30
Starlight Waltz	31
Achievement March	32

The Solo Time For Strings series. . .

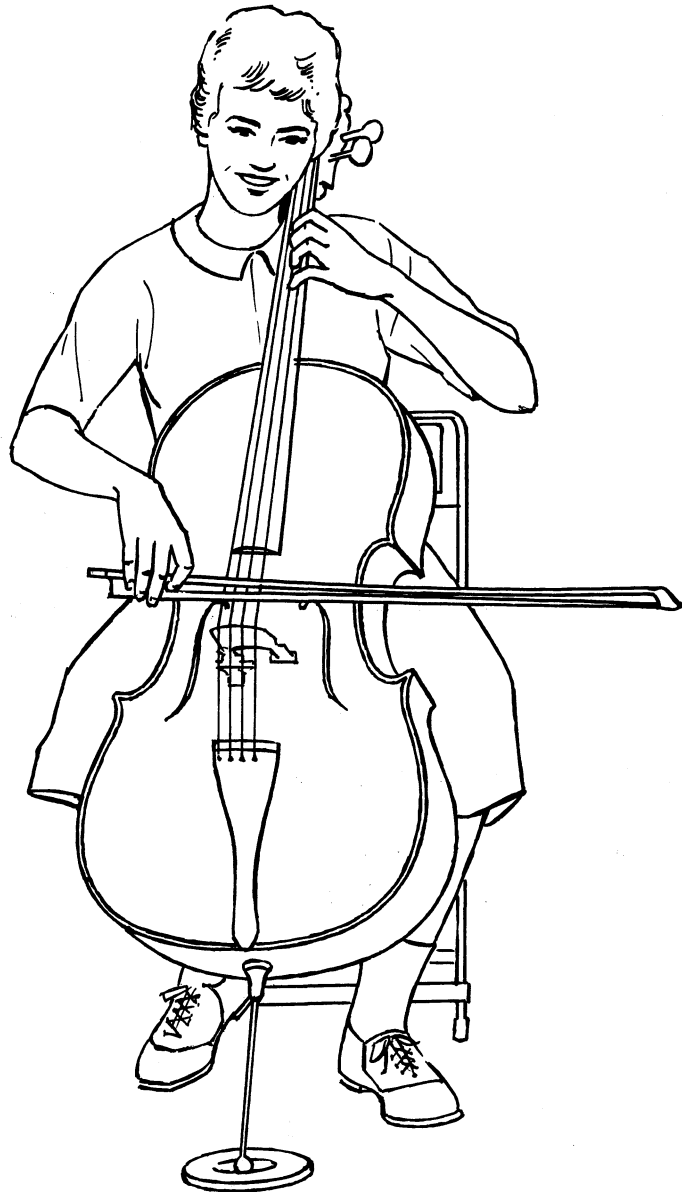
The purpose of Solo Time For Strings is to better prepare our young string students for participation in the school orchestra.

Though written for string class use, the material is equally adaptable for individual instruction.

In unison, each section progresses at the same rate. The viola part has the same challenge as the violin part. The basses are expected to play as well as the cellos.

In that a fine orchestra is dependent upon fine players, Solo Time puts emphasis upon individual accomplishment, progress, and achievement.

THE INSTRUMENT AND BOW



Sit well forward in the chair.

Arrange the end pin so that the C peg is opposite the left ear.

The top of the instrument rests lightly against the chest.

Hold the cello lightly between both knees.

Pivot the cello clockwise to raise the top string.

Both feet are on the floor, the left foot forward.

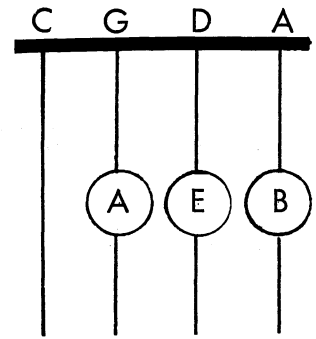
The left thumb is opposite the second finger.

Forearm, wrist, and hand are on the same level.

The fingers are arched. The tips of the fingers press the string.

The first finger points upward slightly. The others are at right angles to the string.

MY FIRST SOLO



LEARN:

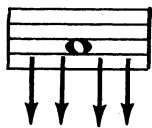
Musical notation for the 'LEARN' section. It shows a bass clef staff with six notes: G, A, D, E, A, B. Below the notes are fingerings: 0, 1, 0, 1, 0, 1.

Count, sing, and play.

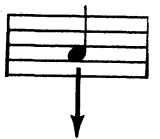
Main musical score for 'MY FIRST SOLO' in 4/4 time. It consists of five staves of music. Measure numbers 5, 9, 13, 17, 25, and 33 are circled. The score includes various musical notations such as slurs, accents, and dynamic markings like 'pizz.' and 'arco'.

LEARN:

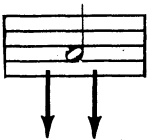
The whole note receives 4 beats.



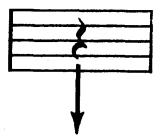
The quarter note receives 1 beat.



The half note receives 2 beats.



The quarter rest receives 1 beat.



Pages 1 through 13 in the "Workbook for Strings" should be completed.